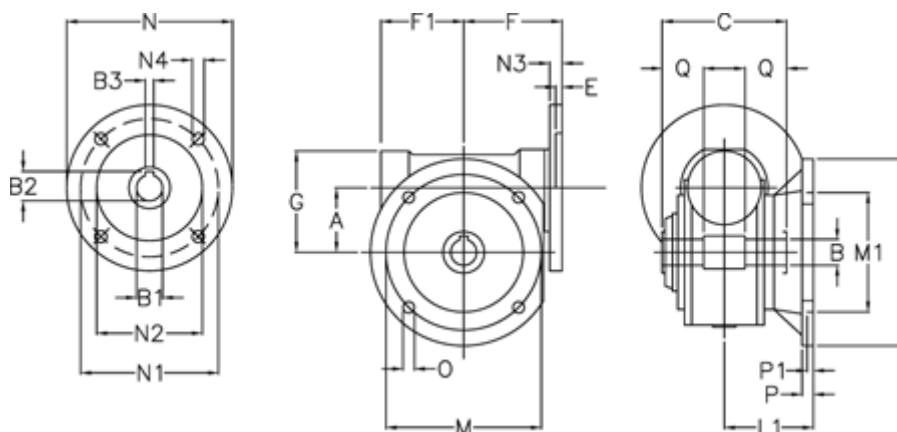


Article number: 390213001053510

Description: Worm gear  
VF 130-FC2-10-90B5, without lubrication

## Measures



|    |         |    |         |    |        |
|----|---------|----|---------|----|--------|
| A  | = 130   | F1 | = 154   | N2 | = 130  |
| B  | = 45 H7 | G  | = 195   | N3 | = 17   |
| B1 | E7 = 24 | L  | = 320   | N4 | = 11   |
| B2 | = 27.3  | L1 | = 137.5 | O  | = 16   |
| B3 | H9 = 8  | M  | = 255   | P  | = 20   |
| C  | = 165   | M1 | = 180   | P1 | = 12   |
| E  | = 0.5   | N  | = 200   | Q  | = 52.5 |
| F  | = 185   | N1 | = 165   |    |        |